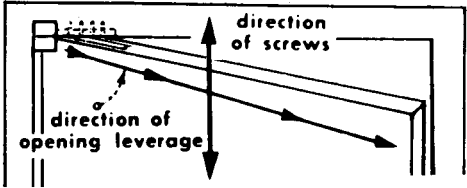


OFFSET HUNG PIVOT INFORMATION AND DETAILS

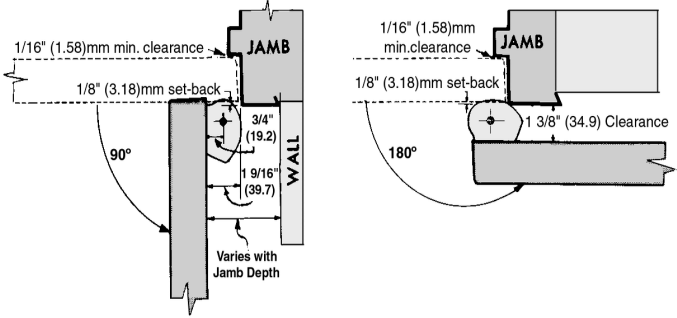
Why pivots are better than hinges

When a door is hung on a pivot, the entire weight of the door is carried by the bottom pivot resting on the floor. Since the screws in the top pivot are perpendicular to the pivot and at right angles to the opening leverage, the door is hung in sheer rather than in tension and is less likely to pull away from the jamb.

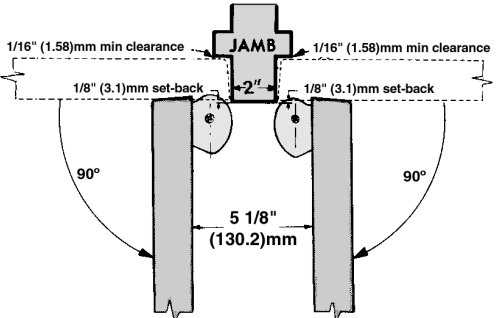
Offset Hung Doors assure a snug fit into the opening allowing a weathertight seal using both side and top stops. A bottom seal can also be attained by using a panic threshold.



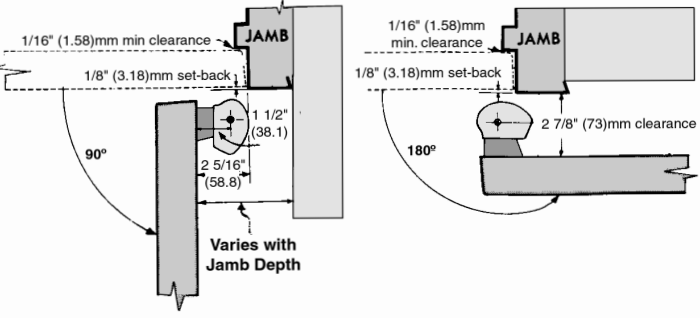
3/4" OFFSET



**3/4" OFFSET
Back to Back**



1 1/2" OFFSET



**1 1/2" OFFSET
Back to Back**

